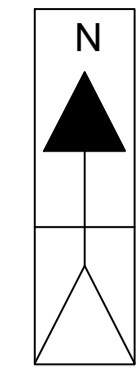
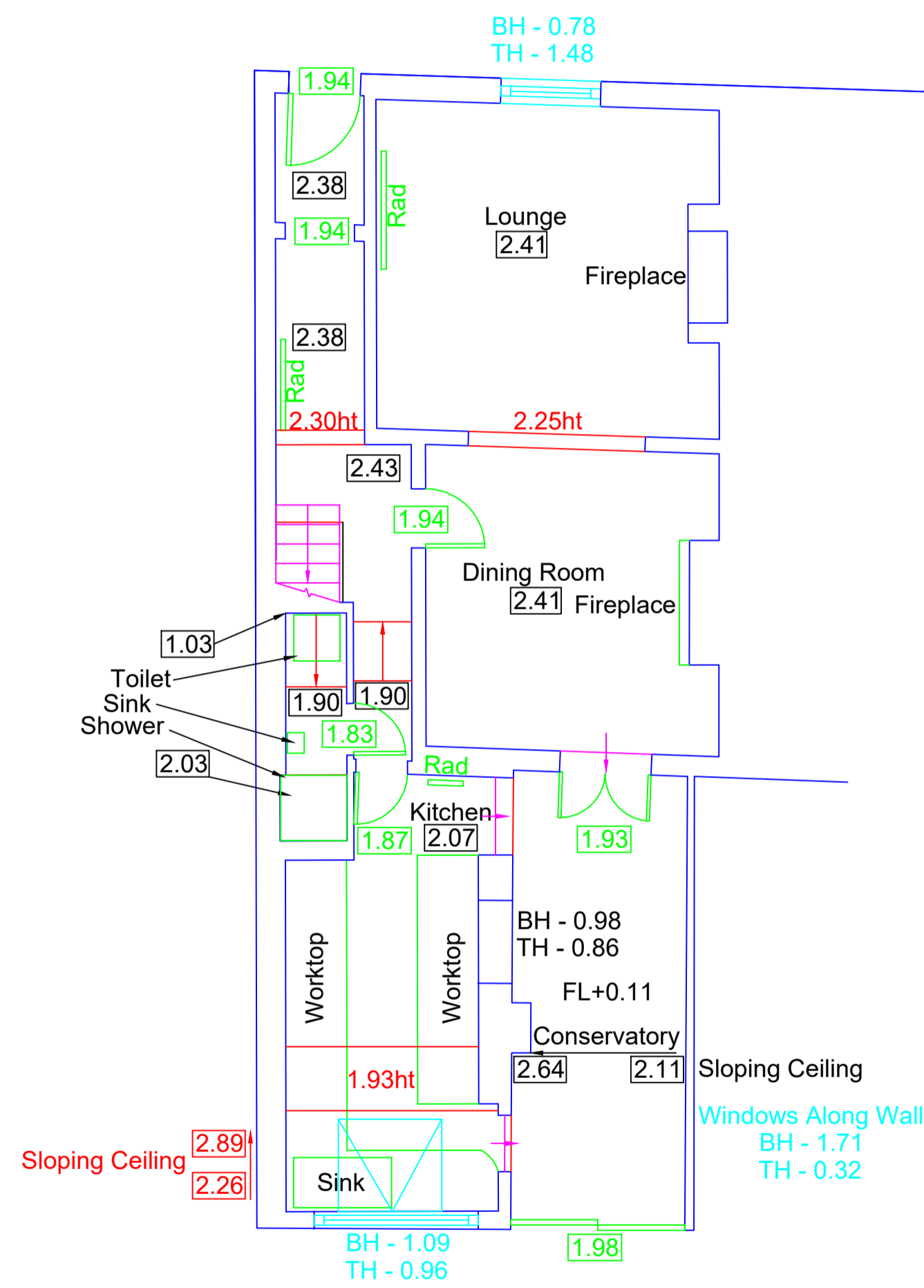


NOTES
1. This drawing is orientated and positioned using best fit to backing mapping.

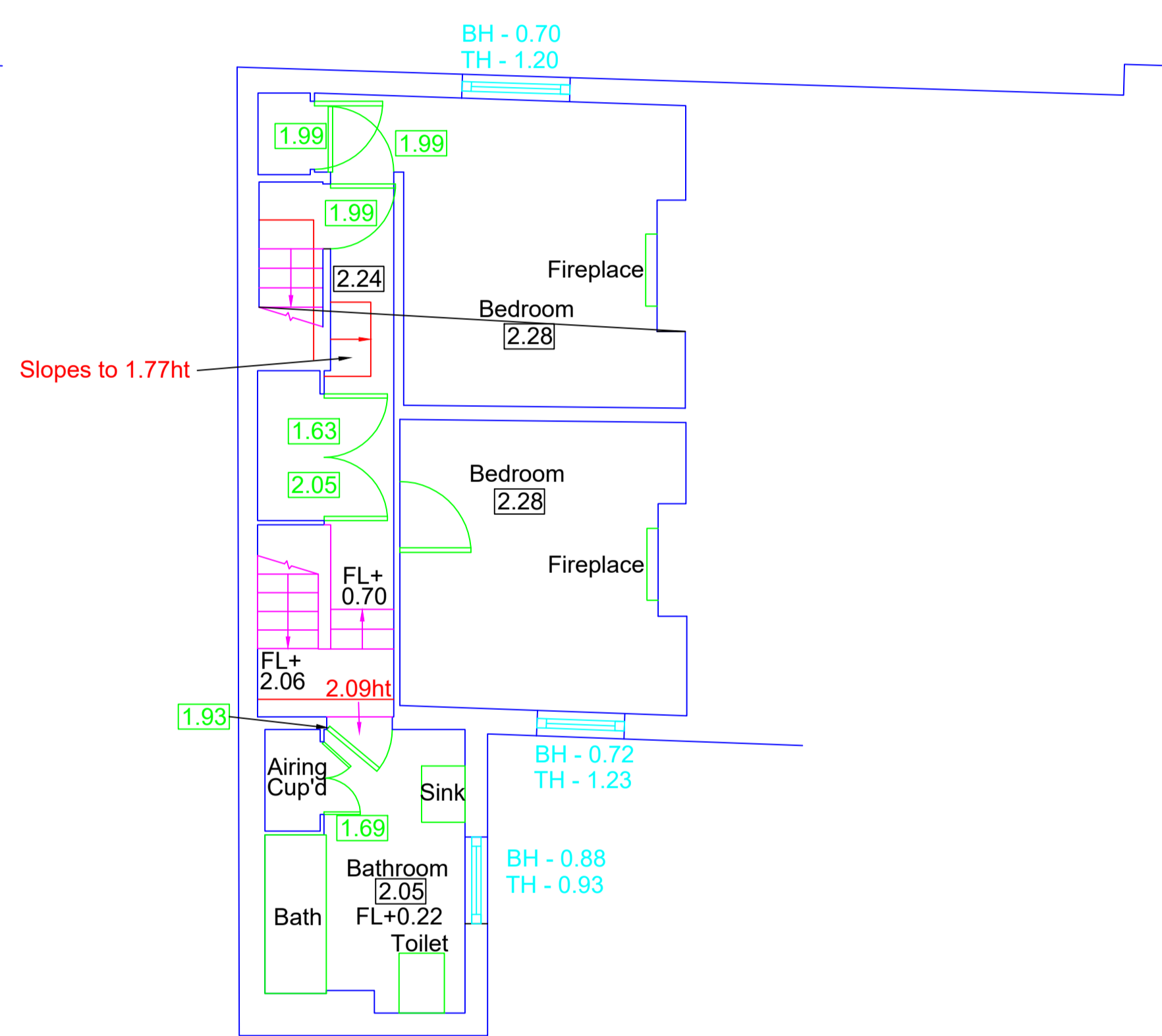


2.38 - Ceiling Height(Black)
2.38 - Door Height(Green)
FL+ - Floor level change

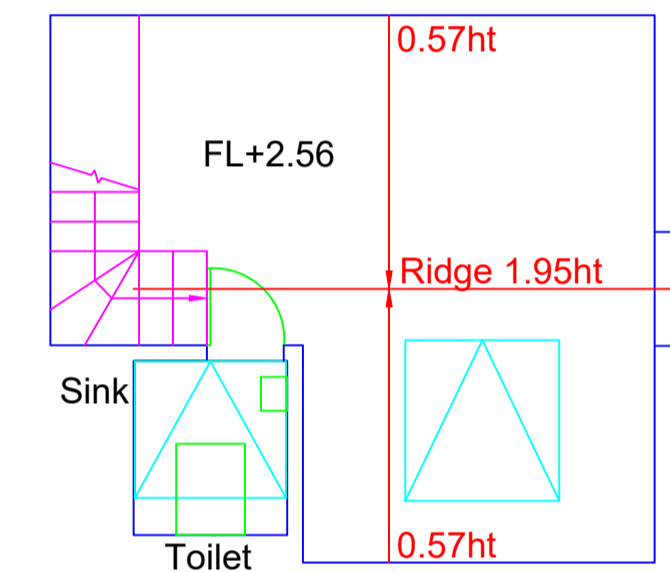
Fit Mark | Fit Mark | Fit Mark | Fit Mark | Fit Mark | Fit Mark



Ground Floor



First Floor



Second Floor

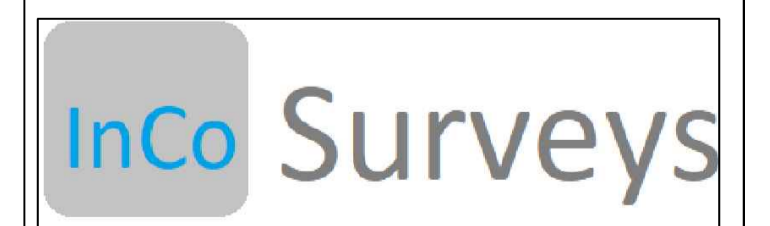
Fit Mark | Fit Mark | Fit Mark | Fit Mark | Fit Mark | Fit Mark

Rev	Revised By	Date	Checked By	Date

Project
2 NORTH LODGE COTTAGES
MANOR ROAD
HURSTPIERPOINT

Drawing Title
FLOOR PLANS

8 Lyon Court
 Ayshe Court Drive
 Horsham
 RH13 5RN
 Tel No: 07867411903
www.incosurveys.co.uk



Surveyed: M.Jones	10/08/2018
Checked: D.Crellin	10/08/2018
Project No: S18012	Drawing Status: INFORMATION
Scale (@ A1): 1:50	

2 NORTH LODGE COT.
FLOORPLANS