

Garage Roof Plan

1:100 scale
 0m 2m
 1:100 Scale Bar



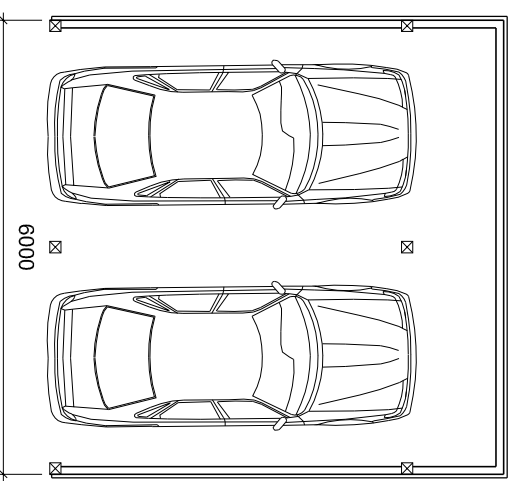
Garage Front Elevation

1:100 scale
 0m 2m
 1:100 Scale Bar



Garage Rear Elevation

1:100 scale
 0m 2m
 1:100 Scale Bar



Garage Floor Plan

1:100 scale
 0m 2m
 1:100 Scale Bar



Garage Side Elevation

1:100 scale
 0m 2m
 1:100 Scale Bar



Garage Side Elevation

1:100 scale
 0m 2m
 1:100 Scale Bar

Materials -

- Roof: Clay tile, with cast iron effect rainwater goods.
- Walls: A mixture of a brick plinth, visible oak framing and black weatherboarding.
- Details: Visible rafter feet.

Revisions

Only figured dimensions are to be used for construction purposes. This drawing must be read in conjunction with all relevant details for the project. All dimensions are to be checked on site prior to commencement and any discrepancy reported to the Architect or Contract Administrator
 © Richardson Architecture 2010

Job Number	Drawing number	Revision	Date	Scale	Purpose of Issue
422	09	P2	Mar 2018	1:100 (A3)	Planning

Richardson Architecture Limited
 The Round Barn
 Gibraltar Farm
 Wick Street
 Fife (Nr. Leves)
 BN8 6NB
 Tel: 01323 848781
 Email: jim@rich-arch.co.uk
 Web: www.rich-arch.co.uk

Richardson Architecture Limited
 RIBA Chartered